



GW 4

Gateway Interface Converter

APPLICATIONS

The Gateway GW 4 interface converter is used to convert the Woodward CAN bus protocol to one of several available bus or interface protocols. A single GW 4 connected to the CAN network will transmit data from the available controls on the network to an external device, such as a PC or PLC. Up to eight Woodward GCP-30 or MFR-2/3 control units can be connected to one GW 4. Please see the individual control product manuals for a listing of the particular addresses that will be transmitted.

The GW 4 is able to adapt the physical interface for different transmission protocols including the transmission rates, data formats, and operations. Thus it is possible to view the data with an HMI package as well as configure a broad range of Woodward controls by using the LeoPC software program.

The following is a list of hardware and software/protocols currently developed for the GW 4 Gateway.

From/To → CAN bus (CAL 2.0)

To/From → RS-232 Modbus
→ RS-485 Modbus
→ Profibus DP Slave
→ RS-232 LDP*

DESCRIPTION

Features

- Converting from CAN bus (CAL2.0) to one of the industry accepted protocols
- Setting of various interfaces, buses, and protocols
- Transmission of process data of an autonomous network coupled via CAN bus
- Intervention into processes using a PC, a PLC or a control system
- Amplifier serving to bridge large sections in popular networks
- Visualization of the process data
- Remote configuration of named Woodward units and devices
- Interface to the LeoPC1 software program used for configuration, visualization, remote control, data logging, event recorder, and user management
- Two-line LC display
- Communication interfaces are electrically isolated

For wiring diagrams and complete list of parameters please request the GW 4 technical manual.

- Interface converter for several interface types using different hardware
- Data converting from CAN (CAL 2.0) to
 - RS-232 Modbus
 - RS-485 Modbus
 - Profibus DP Slave
 - RS-232 LDP¹⁾
- Front panel configurable²⁾
- CE marked
- UL/cUL Listed

¹⁾ LDP = Leonhard Data Protocol

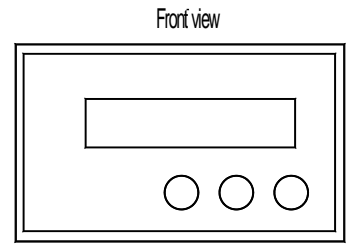
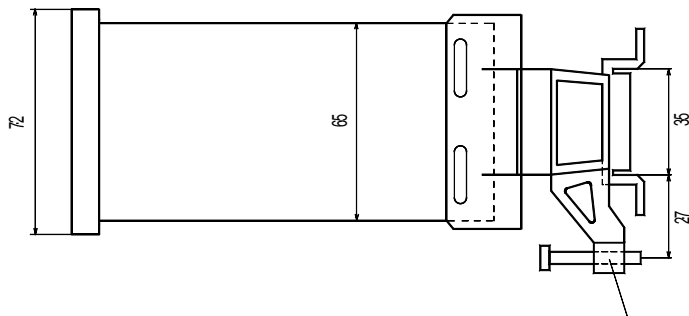
²⁾ Remote configuration via PC is not available

SPECIFICATIONS

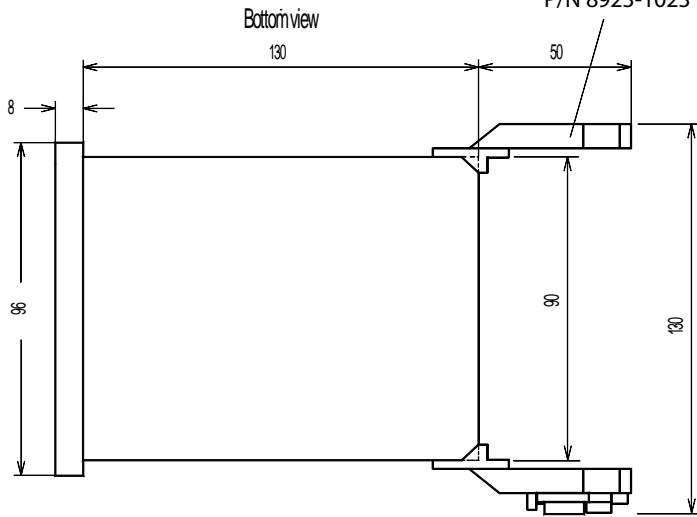
Power supply 24 Vdc (18 to 32 Vdc)
 Intrinsic consumption max. 12 W
 Ambient temperature -20 to 70 °C
 Ambient humidity 95 %, non-condensing

Housing Type APRANORM DIN 43 700
 Dimensions 96x72x130 mm
 Front cutout 91x67 mm
 Connection screw/plug terminals depending on connector 1.5 mm² or 2.5 mm²
 Front insulating surface
 Protection system IP 21
 Weight depending on version, approx. 800 g
Disturbance test (CE) tested according to applicable EN guidelines

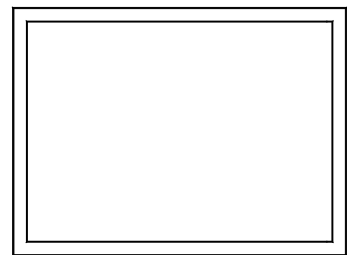
DIMENSIONS



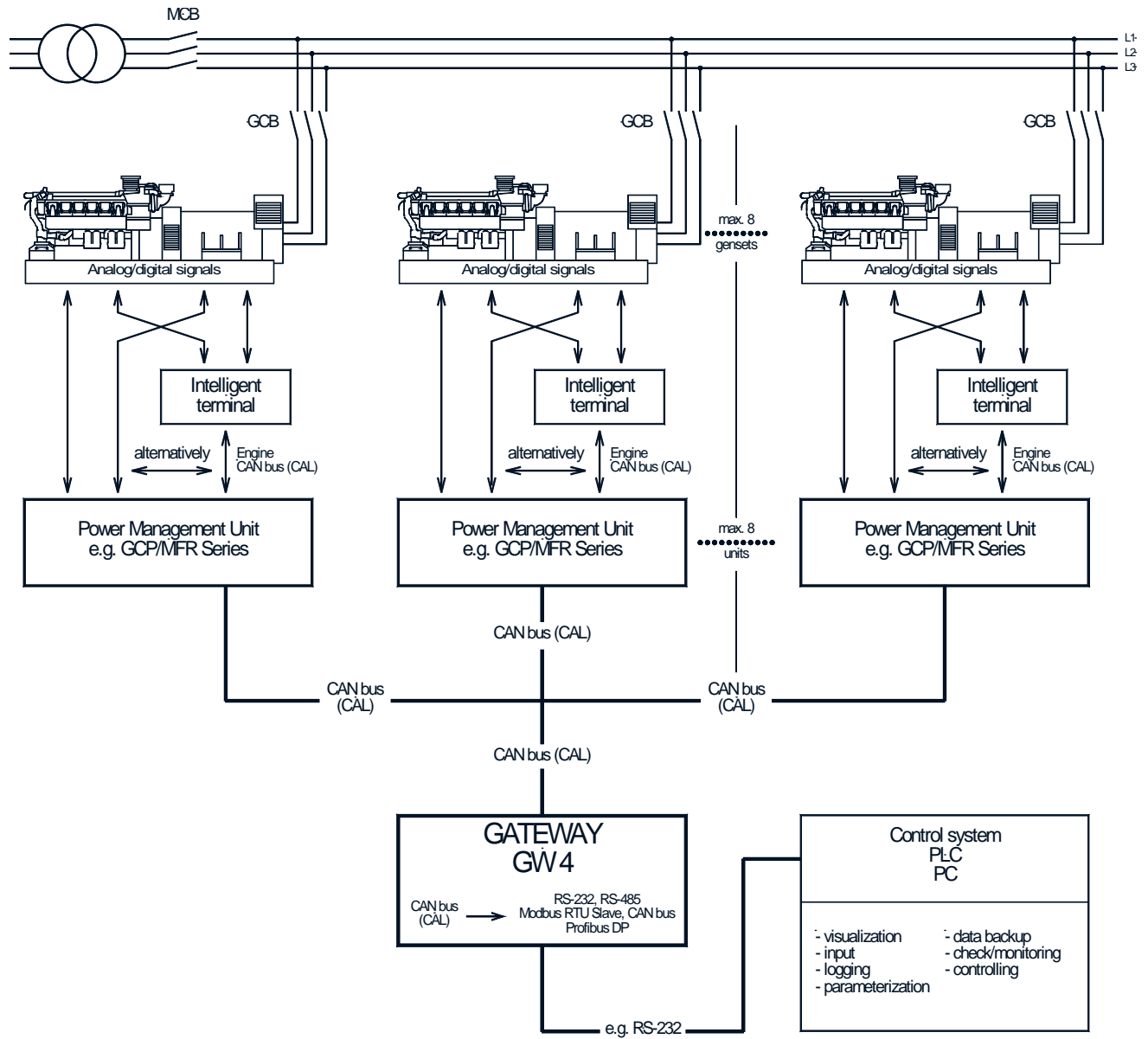
Optional DIN rail mounting kit.
 Please order separately:
 P/N 8923-1023



- Back view -
 connecting terminals
 depending on the existing hardware



APPLICATION EXAMPLE



Woodward Headquarters
 PO Box 1519
 Fort Collins CO, USA
 80522-1519
 1000 East Drake Road
 Fort Collins CO 80525
 Ph: +1 (970) 482-5811
 Fax: +1 (970) 498-3058

SYSTEM OVERVIEW AND PART NUMBERS

				Type	
				Mounting [B] = flush-mounting	
				Interface hardware	
				Interface protocol	
				Product Name	P/N
GW 4	B/	RS485	MODBUS	➔ GW4B/RS485+MOD	5448-901
GW 4	B/	RS232	MODBUS (peer-to-peer)	➔ GW4B/RS232+MOD	5448-895
GW 4	B/	PROFIBUS		➔ GW4B/PROFIBUS+DPSLAVE	5448-902
GW 4	B/	RS232	LDP (Leonhard-Data-Protocol)	➔ GW4B/RS232+LDP	5448-910
Accessories – please order separately					
				Product Name	P/N
Complete kit to mount one GW 4 to DIN rails				DIN rail mounting kit	8923-1023

www.woodward.com

For more information contact:



Subject to technical modifications.

This document is distributed for informational purposes only. It is not to be construed as creating or becoming part of any Woodward Governor Company contractual or warranty obligation unless expressly stated in a written sales contract.

We appreciate your comments about the content of our publications. Please send comments including the document number below to stgt-doc@woodward.com

© Woodward, 2012

All Rights Reserved

37170C - 12/6/S

Contact

North & Central America Phone: +1 970 498 3634 E-mail: SalesPGD_NAandCA@woodward.com	South America Phone: +55 11 3034 1120 E-mail: SalesPGD_SA@woodward.com
Europe Phone: +49 711 78954-510 E-mail: SalesPGD_EUROPE@woodward.com	Middle East & Africa Phone: +971 2 6275185 E-mail: SalesPGD_MEA@woodward.com
Russia Phone: +7 960 272 4205 E-mail: SalesPGD_RUSSIA@woodward.com	China Phone: +86 512 8818 5515 E-mail: SalesPGD_CHINA@woodward.com
India Phone: +91 22 2561 2256 E-mail: SalesPGD_INDIA@woodward.com	ASEAN & Oceania Phone: +49 711 78954-511 E-mail: SalesPGD_ASEAN@woodward.com