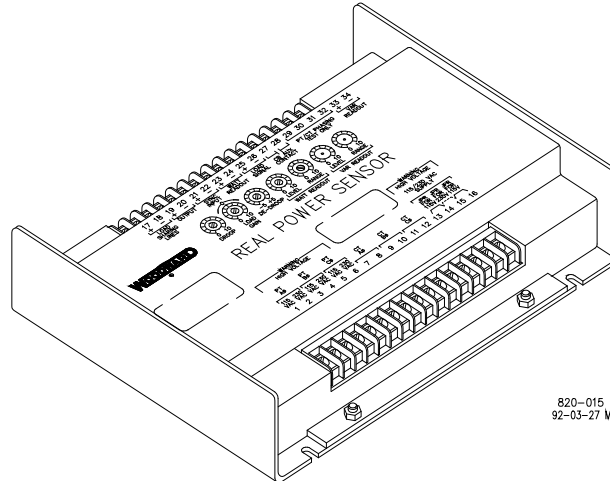


Real & Reactive Power Sensor

Applications

The Real and Reactive Power Sensor is used with Woodward speed controls to measure both real (watt) and reactive (VAR) power produced by a generator. The Real and Reactive Power Sensor provides kilowatt, test, and optional kiloVAR and load-sharing signals to the speed control.



820-015 G
92-03-27 MCL

Description

The Real and Reactive Power Sensor is a solid state, electronic device. It is housed in a metal chassis and is intended for mounting in a prime mover control cabinet.

The unit contains its own power supply and is powered separately from the speed control.

Four models are available:

- Kilowatt readout
- Kilowatt and kiloVAR readout
- Kilowatt readout, load sharing signal, speed and phase matching synchronizer input, and isoch/droop operation
- Kilowatt readout, kiloVAR readout, load sharing signal, speed and phase matching synchronizer input, and isoch/droop operation

The Real and Reactive Power Sensor will constantly monitor the generator output voltage and current with transformers. These transformers are selected to provide potential voltage of 115 Vac or 230 Vac at nominal generator voltage. The current transformers are selected to provide a 5 A secondary current at full generator output.

The Real and Reactive Power Sensor provides a signal to the speed control that is proportional to the output power of the generator.

Specifications

Power Source

95–130 or 190–260 Vac, 50 or 60 Hz

Potential Voltage Range

80–150 or 160–300 Vac, 45–66 Hz

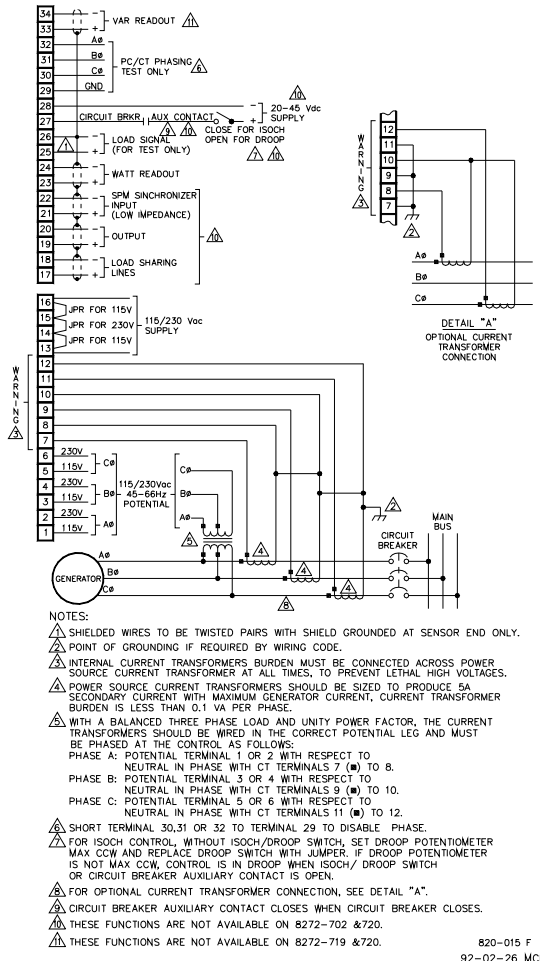
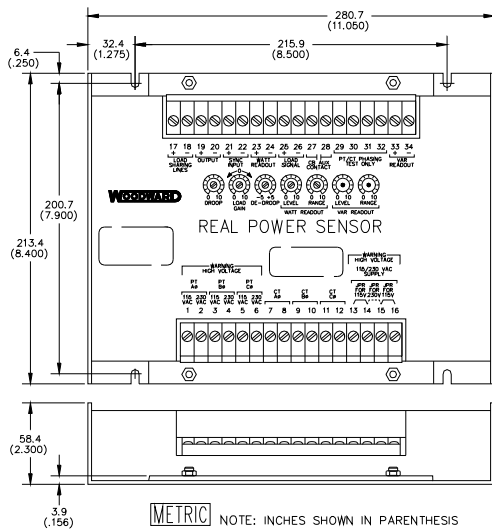
Current Transformer Range

5 A secondary current at full generator output. Works with leading or lagging power factor to 0.2

Power Consumption

14 W typical (20 W maximum)

- Watt readout signal
- Optional VAR readout signal
- Optional load sharing



Outline Drawing and Wiring Diagram
(Do not use for construction)



PO Box 1519, Fort Collins CO, USA 80522-1519
 1000 East Drake Road, Fort Collins CO 80525
 Tel.: +1 (970) 482-5811 ♦ Fax: +1 (970) 498-3058
www.woodward.com

Distributors & Service

Woodward has an international network of distributors and service facilities. For your nearest representative, call the Fort Collins plant or see the Worldwide Directory on our website.

This document is distributed for informational purposes only. It is not to be construed as creating or becoming part of any Woodward contractual or warranty obligation unless expressly stated in a written sales contract.

Copyright © Woodward 1989-2001, All Rights Reserved

For more information contact:

